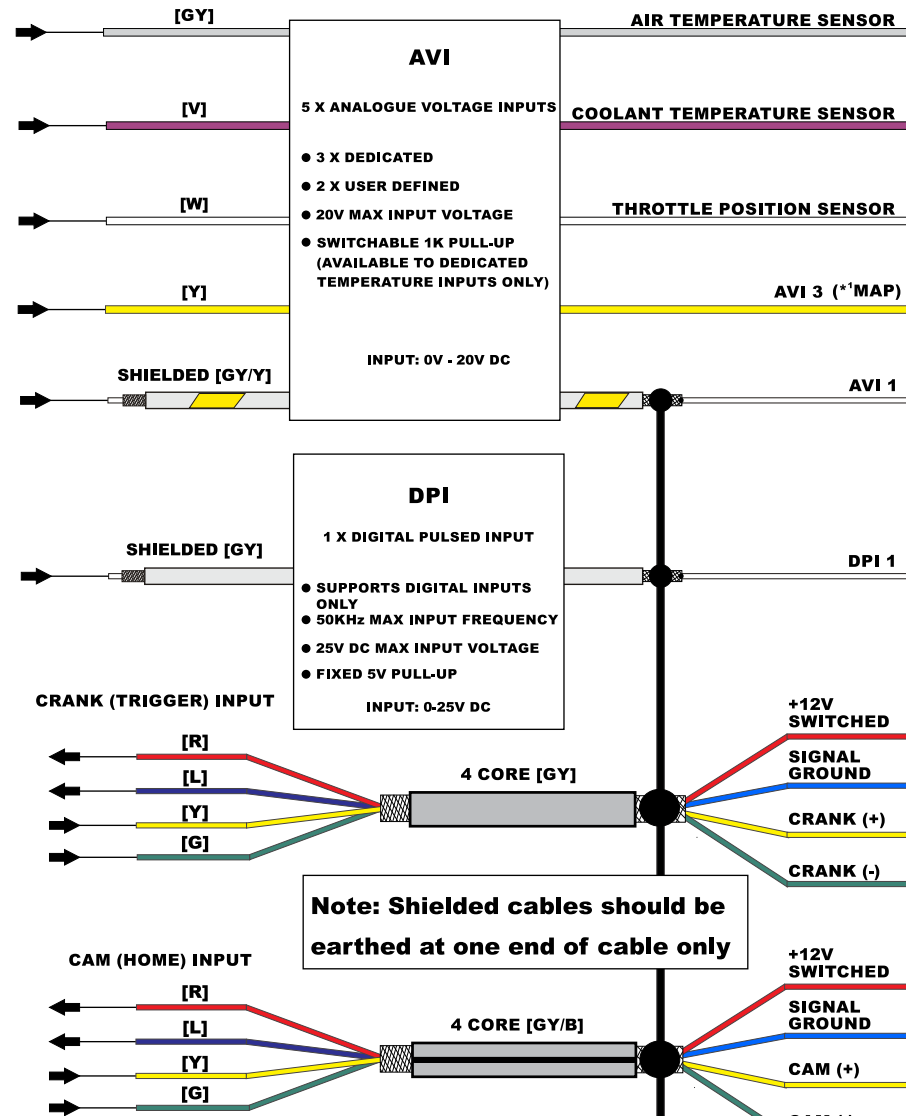
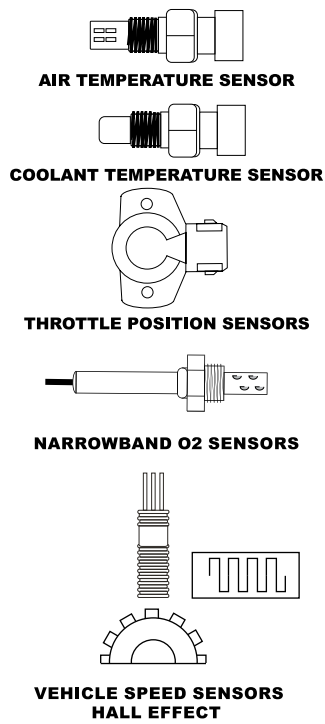


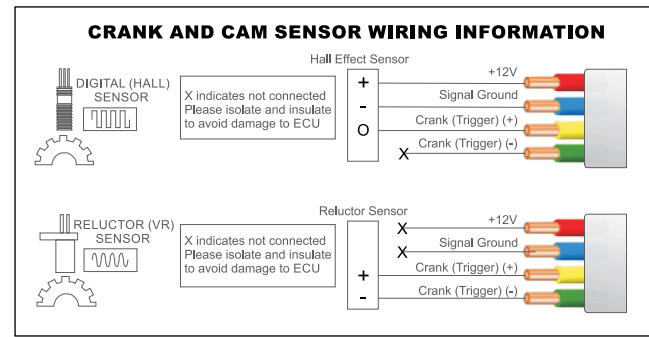
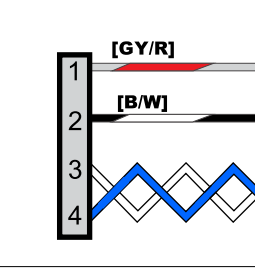
ELITE 550 BASIC UNIVERSAL WIRING HARNESS

EXAMPLE CONNECTIONS

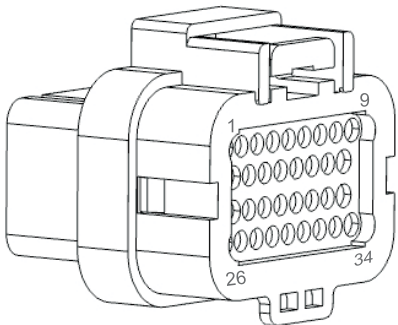
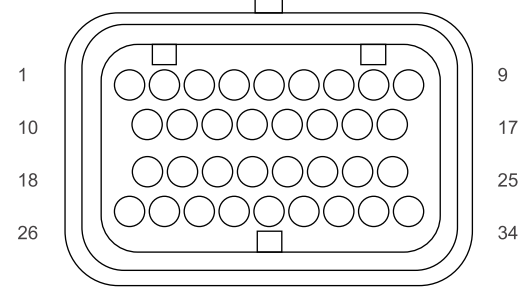


Note: Shielded cables should be earthed at one end of cable only

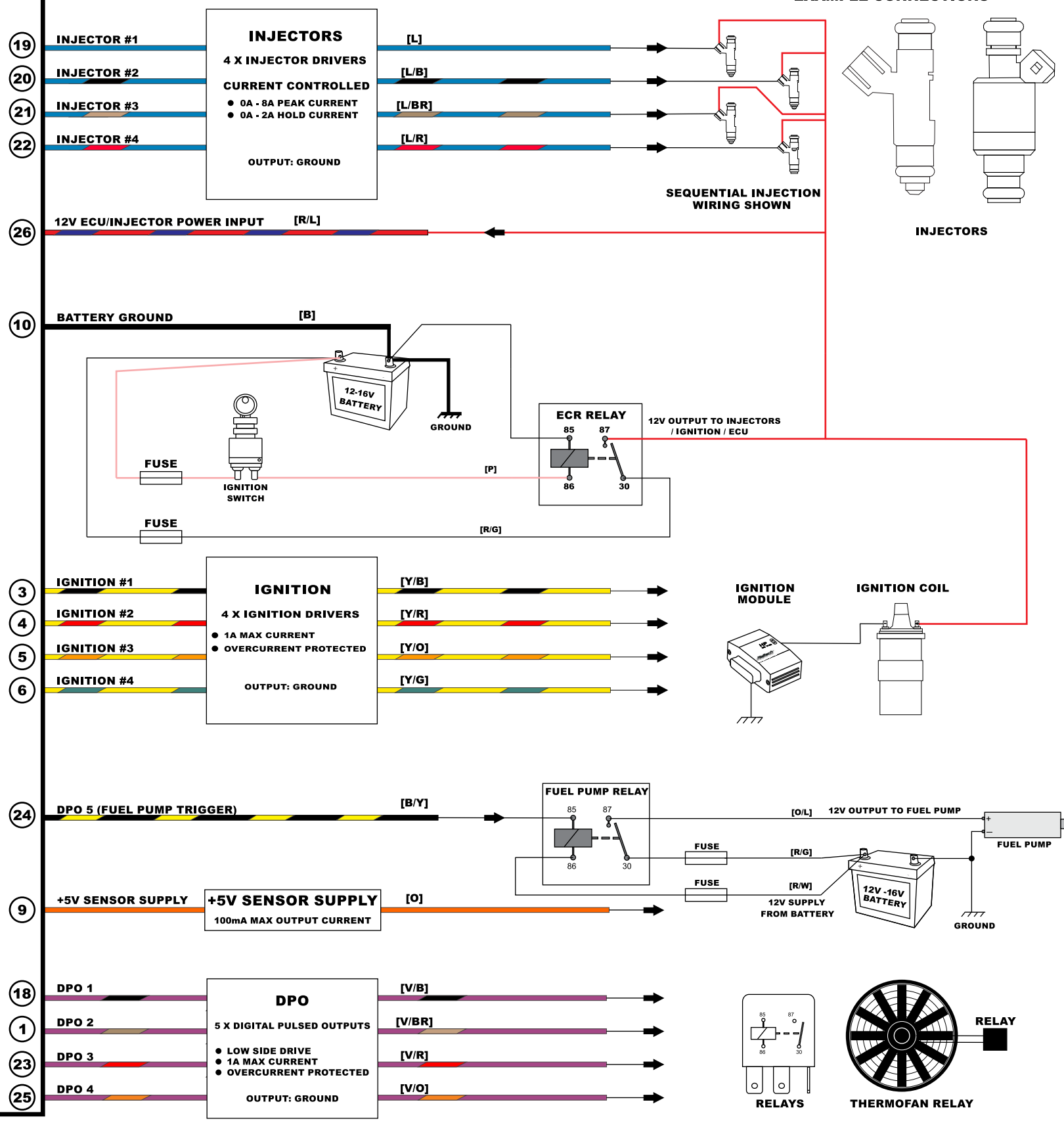
MAIN HARNESS CAN CONNECTOR



LOOKING INTO CONNECTOR ON ECU



34 PIN CONNECTOR



LEGEND - WIRE COLOUR
 B = BLACK BR = BROWN G = GREEN GY = GREY L = BLUE
 O = ORANGE P = PINK R = RED V = VIOLET Y = YELLOW W = WHITE
 WHEN TWO COLOURS ARE USED IN A WIRE BY THE ALPHABETICAL CODE,
 THE FIRST LETTER INDICATES THE BASIC WIRE COLOUR,
 THE SECOND COLOUR INDICATES THE COLOUR OF THE STRIPE.

NOTES:
 *1 RECOMMENDED FUNCTION ALLOCATION,
 BUT NOT LIMITED TO
 HARNESS SUPPLIED MAY SUPPORT ELITE 750.
 UNUSED CONNECTIONS CAN BE REMOVED,
 PLEASE REFER TO DIAGRAM ABOVE.

ELITE 550 (2.6M) BASIC UNIVERSAL HARNESS #HT-140402	
HALTECH ENGINE MANAGEMENT SYSTEMS	
DOCUMENT REVISION: 1	HARNESS REVISION: 1
DATE: 5TH JULY 2016	SHEET 1 OF 1